

Check List

Utilize this chart to record cabinet lines styles, wood and finishes for Athena to design and develop a 360-degree color view of your new kitchen or bathroom using state-of-the-art software. We'll bring your vision to life and give both of us peace of mind, seeing firsthand just how you want your kitchen to look when we're done so we can deliver exactly what you want.



	STYLE	FINISH	UP GRADES
PRODUCT LINES / MODELS			
<input type="checkbox"/> _____	_____	_____	_____
<input type="checkbox"/> _____	_____	_____	_____
<input type="checkbox"/> _____	_____	_____	_____
<input type="checkbox"/> _____	_____	_____	_____
NOTES - HARDWARE - ACCESSORIES - GLASS DOORS:			



	WOOD	STYLE NAME	FINISH OPTIONS
MID CONTINENT SERIES			
<input type="checkbox"/> _____	_____	_____	_____
<input type="checkbox"/> _____	_____	_____	_____
<input type="checkbox"/> _____	_____	_____	_____
<input type="checkbox"/> _____	_____	_____	_____
NOTES or DESIGN OPTIONS:			

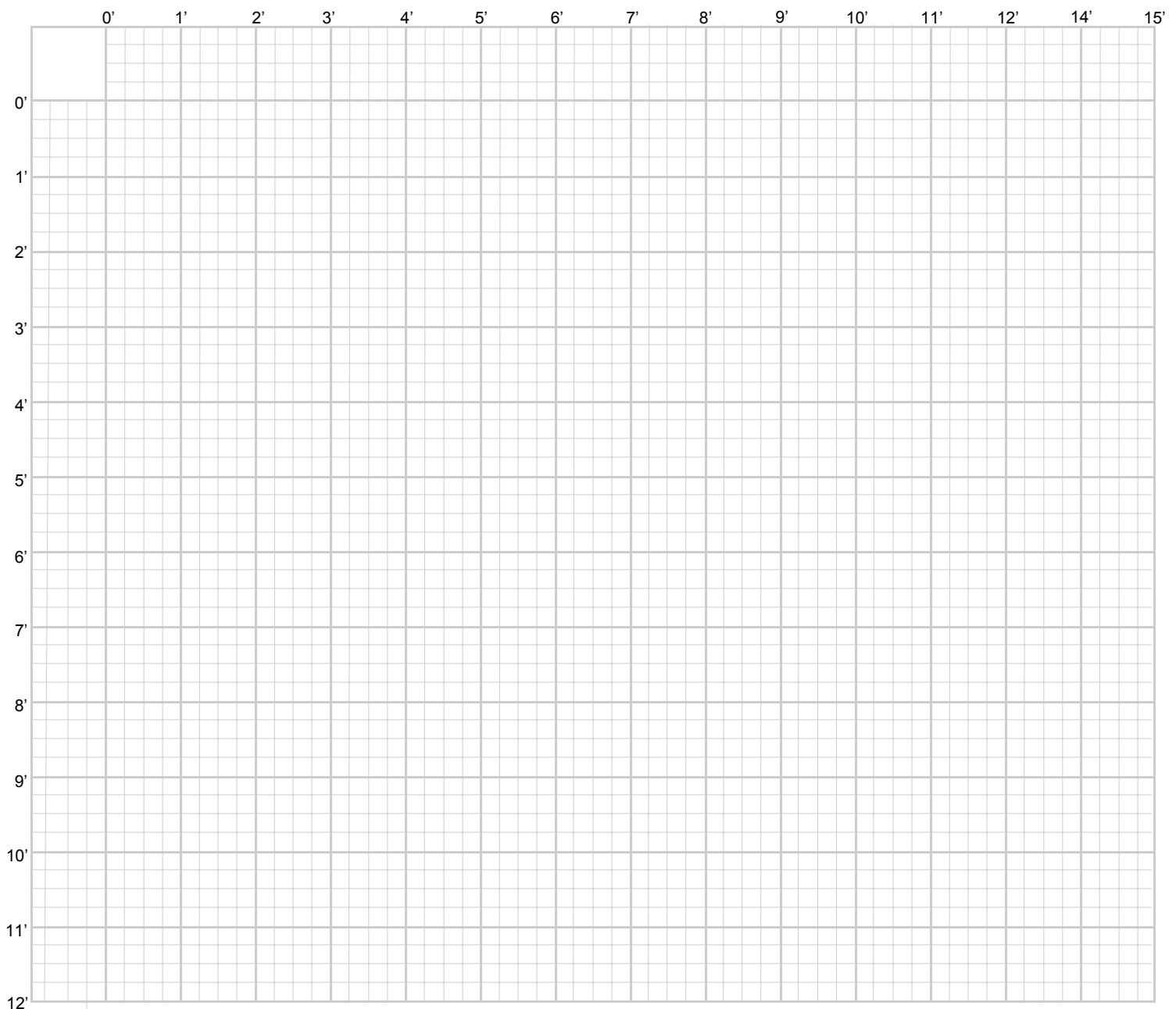


	STYLE	WOOD	FINISH
PRODUCT LINES / MODELS			
<input type="checkbox"/> _____	_____	_____	_____
<input type="checkbox"/> _____	_____	_____	_____
<input type="checkbox"/> _____	_____	_____	_____
<input type="checkbox"/> _____	_____	_____	_____
NOTES- HARDWARE - ACCESSORIES:			

Measuring Your Space

1. Start by measuring each wall of the room and recording the inside dimensions. Measure at the floor then again in the center of the wall and at the ceiling, this will be for accuracy and to ensure square ness.
2. Locate the centerline of the sink and record that onto your drawing, indicate water supply, natural gas supply or 220-volt electric service.
3. Next measure each wall individually recording all critical measurements to include all the obstacles and their location (i.e outlets, switches, lights, cables, heat registers, phone jacks, doors, windows).
4. Measure the height of window sill, height and width of the window and doors and height of ceiling and soffits.—
Record this information on the Door, Window and Soffit charts.

Recommended Scale: 1/2" = One Foot



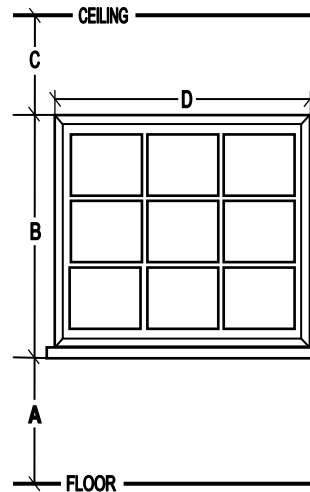
Structural Measurements

WINDOWS

Measure each window in the kitchen and record below. All measurements should be from the outside edge of the trim. If window treatments are to be used they will be inside or outside mount.

Record all measurements in inches

Window	A	B	C	D
1				
2				
3				
4				

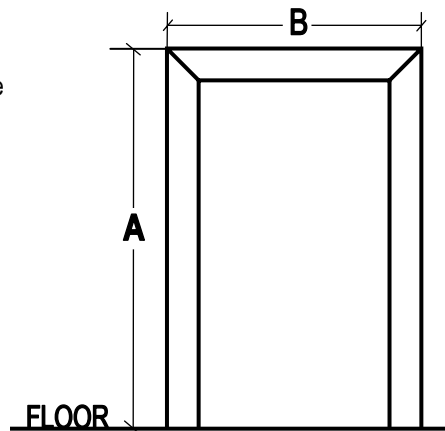


DOORS

Measure each door in the kitchen and record below. All measurements should be from the outside edge of the trim. If patio doors are to have draperies or blinds, they will be: inside or outside mount.

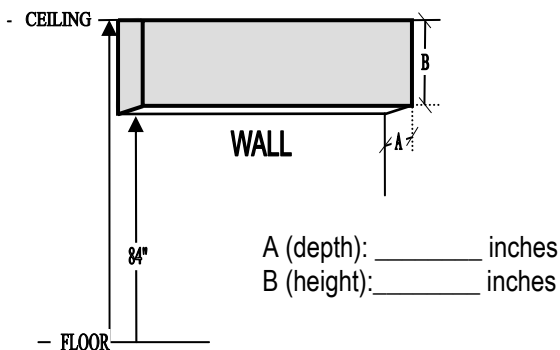
Record all measurements in inches

Door	A	B	Hinge (L/R)	Swing (In/Out)
1				
2				
3				
4				



SOFFIT

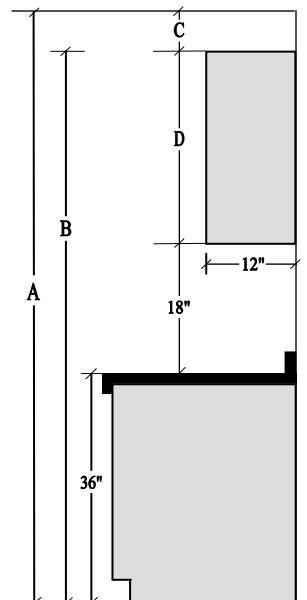
A soffit is the bulkhead between the ceiling and the top of the cabinets. Distance from the floor to the soffit should be at least 84". Allow 1/4" more if you install a 84" tall cabinet. Soffit depth may vary, however normal depth is 13" or 1" deeper than a wall cabinet. *Note: Check the soffit height and depth to ensure the cabinets do not extend beyond the existing soffits.*



ROOM DETAILS:

Record all measurements in inches

- _____ A: Ceiling Height
- _____ B: Cabinet Height
- _____ X C: Soffit (depth & height)
- _____ D: Wall Cabinet Height



Appliances and Fixtures

Utilize this chart to record the measurements and information concerning your appliances and fixtures.

Share this information with your designer to ensure everything will be incorporated into your new kitchen plan.

	HIGH	DEEP	WIDE
RANGE /COOKTOP UNITS:	MAKE /MODEL #		
<input type="checkbox"/> Free-standing	_____	_____	_____
<input type="checkbox"/> Built-in range	_____	_____	_____
<input type="checkbox"/> Down-draft cook top	_____	_____	_____
<input type="checkbox"/> Built-in cook top	_____	_____	_____
NOTES:			
HOOD UNITS:	MAKE/MODEL #		
<input type="checkbox"/> Ductless hood	_____	_____	_____
<input type="checkbox"/> Hood ducted to outside	_____	_____	_____
NOTES:			
BUILT IN OVENS:	MAKE/MODEL #		
<input type="checkbox"/> Built-in single oven	_____	_____	_____
<input type="checkbox"/> Built-in double oven	_____	_____	_____
NOTES:			
MICROWAVE UNITS:	MAKE/MODEL #		
<input type="checkbox"/> Built-in	_____	_____	_____
<input type="checkbox"/> Free-standing	_____	_____	_____
<input type="checkbox"/> Spacemaker	_____	_____	_____
NOTES:			
<input type="checkbox"/> WINE COOLER:	MAKE/MODEL #		
NOTES:			

	HIGH	DEEP	WIDE
REFRIGERATORS:	MAKE/MODEL #		
<input type="checkbox"/> Top-mount freezer	_____	_____	_____
<input type="checkbox"/> Bottom-mount freezer	_____	_____	_____
<input type="checkbox"/> Side-by-Side	_____	_____	_____
<input type="checkbox"/> Full Door	_____	_____	_____
<input type="checkbox"/> Ice Maker	_____	_____	_____
NOTES:			
SINK:	MAKE/MODEL #		
<input type="checkbox"/> Single bowl	_____	_____	_____
<input type="checkbox"/> Double bowl	_____	_____	_____
<input type="checkbox"/> L-shaped corner	_____	_____	_____
<input type="checkbox"/> Apron front	_____	_____	_____
<input type="checkbox"/> Prep sink	_____	_____	_____
<input type="checkbox"/> Water filter	_____	<input type="checkbox"/> Hot water dispenser	_____
<input type="checkbox"/> Garbage Dis-	_____	_____	_____
posal			
NOTES:			
<input type="checkbox"/> DISHWASHER	MAKE/MODEL #		
NOTES:			
<input type="checkbox"/> TRASH COMPACTOR	MAKE/MODEL #		
NOTES:			